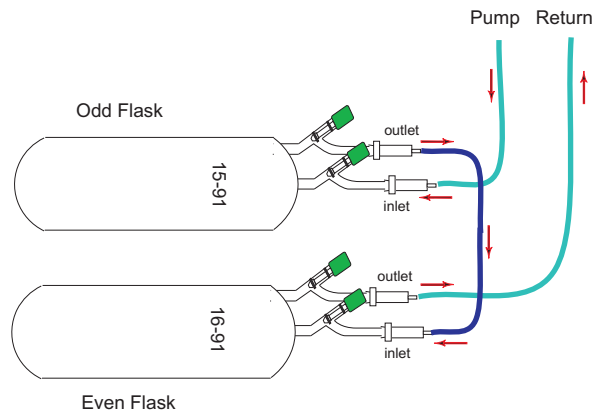
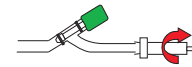
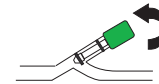


# Air Sampling Quick Reference (September 2004)

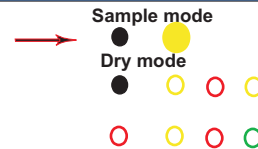
1. Install the flasks according to the diagram below. Make sure the connections are tight (push and twist).



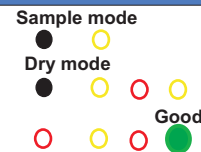
2. Open all four flask stopcocks.



3. Move the switch to the "ON" position. Press the "Sample Mode" button. Sample collection lasts 10 minutes.



4. "Good Sample" light (green) indicates that the sample was collected successfully. If not a good sample, see the other side of this card.



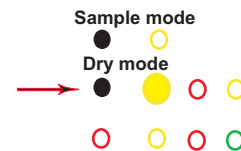
5. Close all four stopcocks. Check that they are completely closed. **Turn the AIRKIT power off.**



6. Remove the flasks from the AIRKIT. Make sure the sample sheet is completely filled out.



7. Plug in the battery charger and connect it to the AIRKIT. Move the switch to the "ON" position. Press "Dry Mode" button to begin the Dry Mode.



8. When the Dry Mode is finished (30 minutes, yellow light Off), **move the switch to the "OFF" position.** Leave the battery charger plugged in for 8 hours to fully charge the battery.

