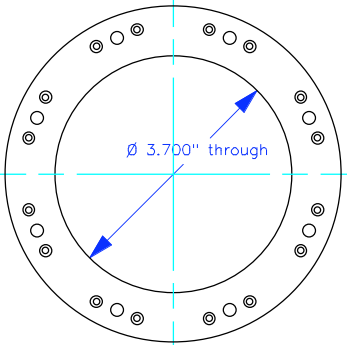


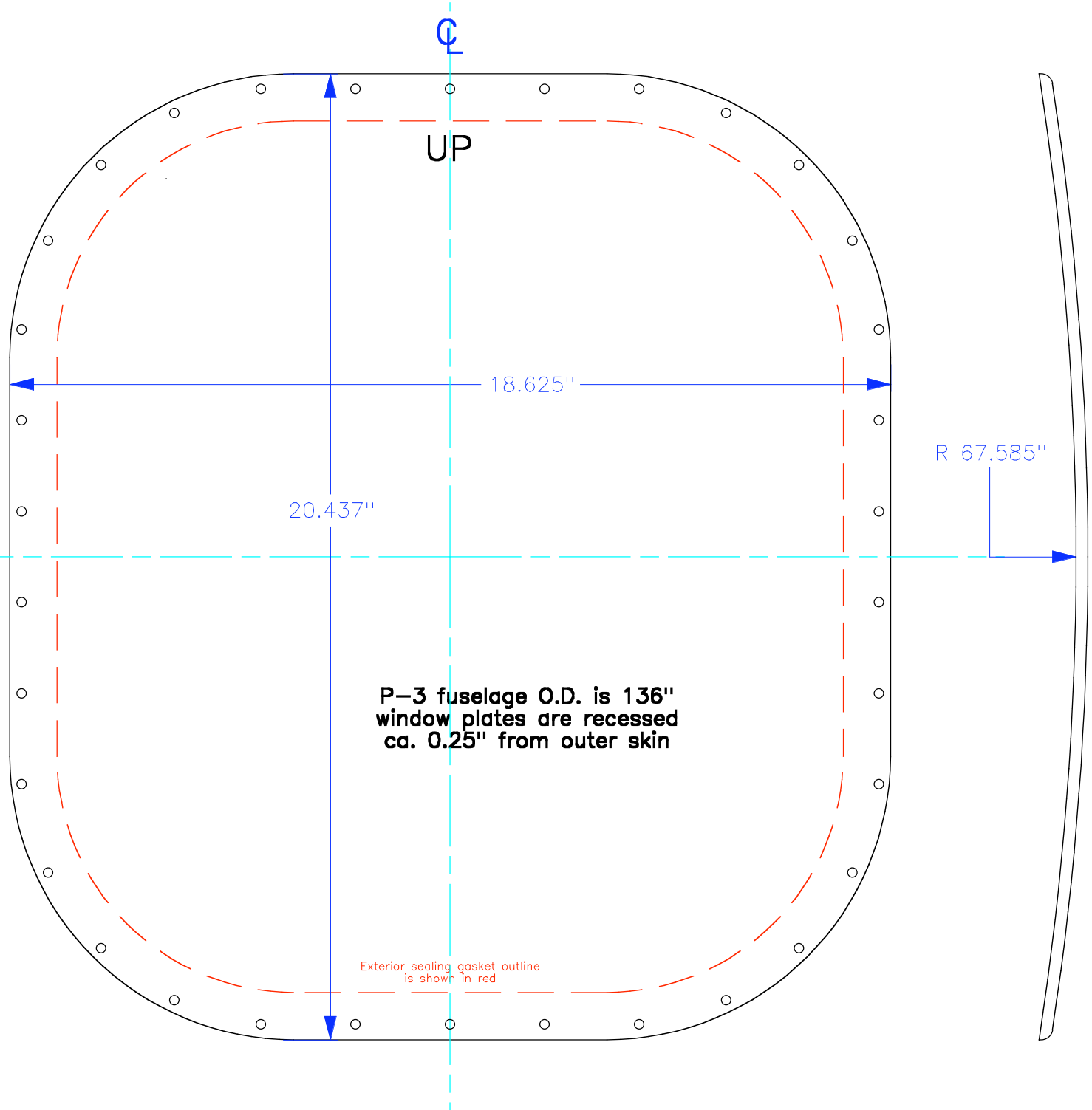
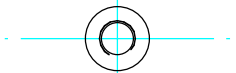
2006 Sta.XX window plate

view from interior

standard flange window prep
(see detail for dims.)



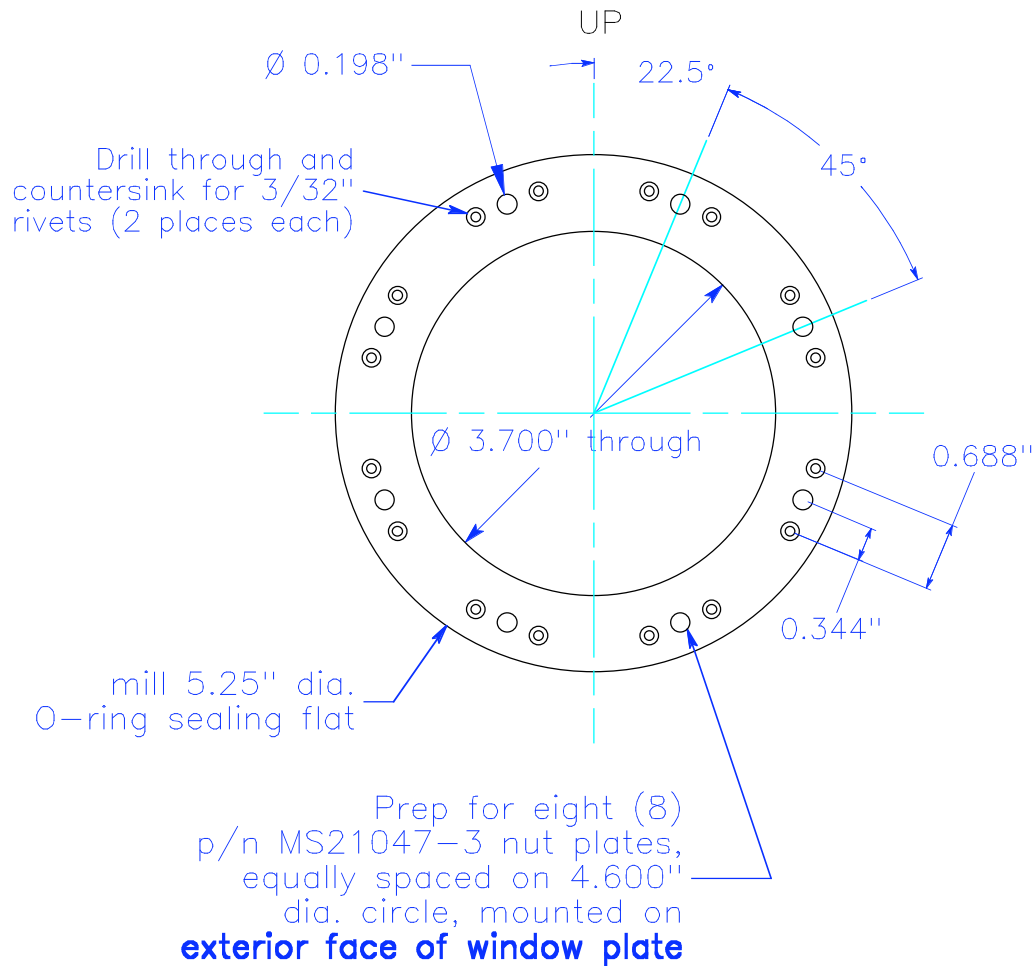
accepts Swagelok p/n
SS-600-1-OR-BT fittings



window prep for standard flange

view from interior

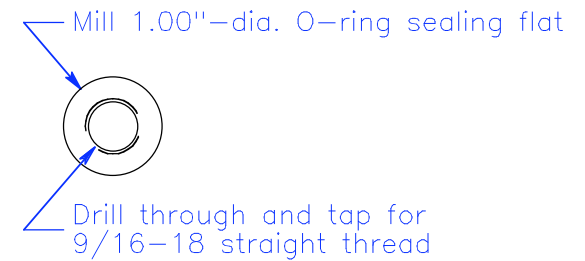
accepts eight MS21047-3 steel
10/32 nut plates (3/32" rivets)



window prep for 9/16-18 male connector fitting

view from interior

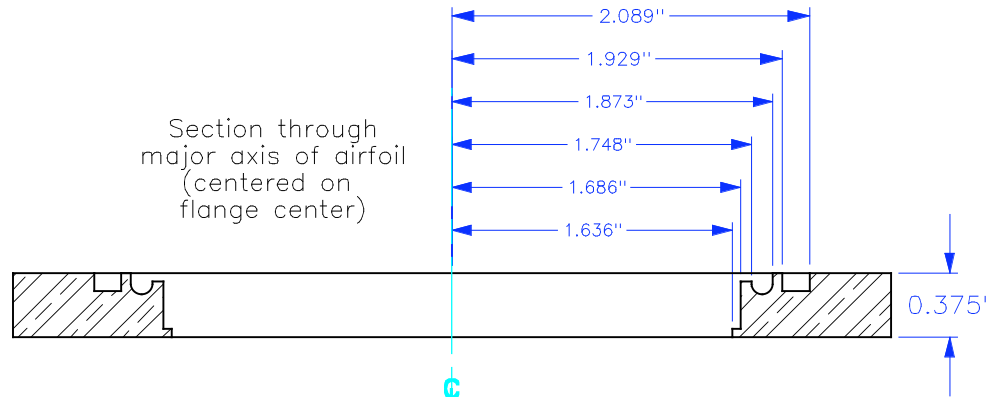
accepts Swagelok SS-600-1-OR-BT fitting



WP-3D standard inlet flange

4130N steel aircraft flats, 8"x8"x1/2" stock
 Robin Materials, Inc.
www.rmat.com
 (650) 966-1533

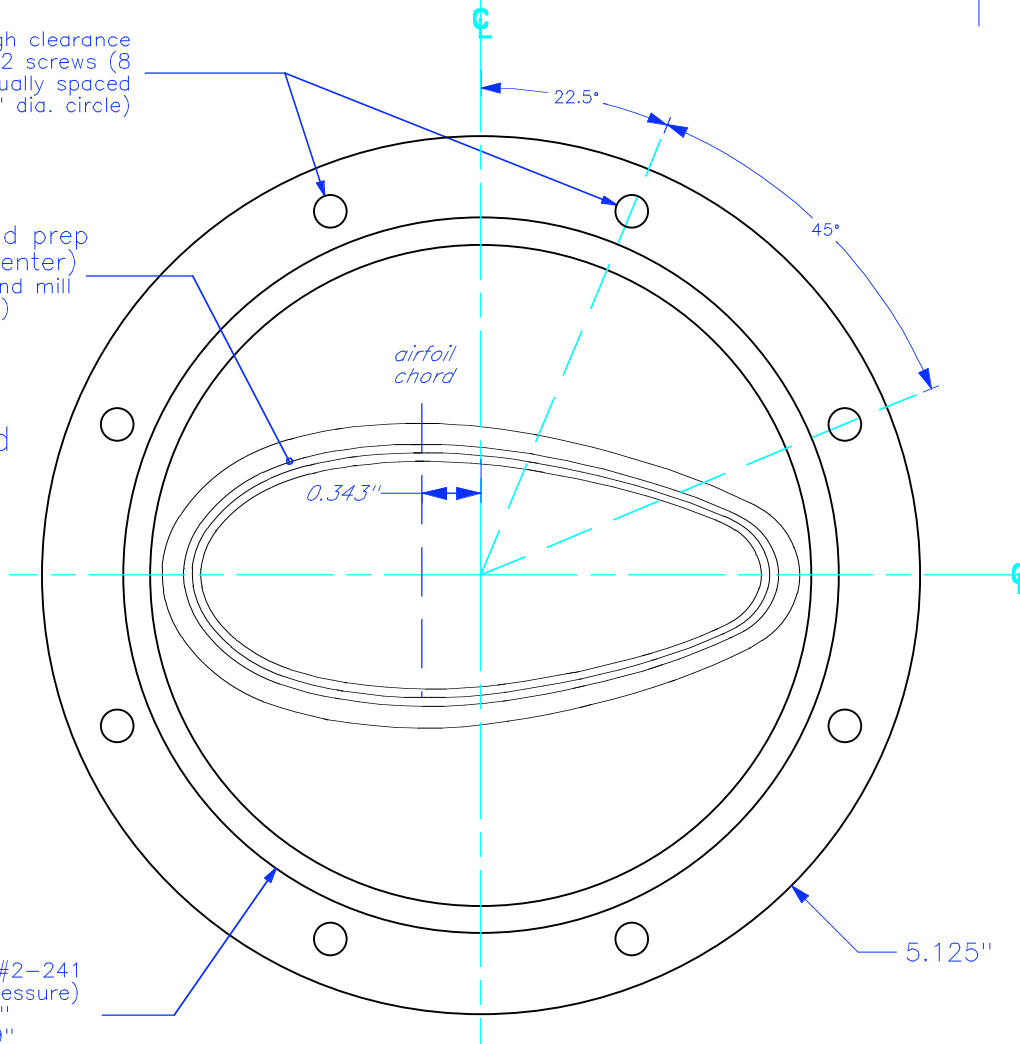
for Wicks Aircraft streamline tubing
 p/n SL33-14-4
 3.372 major axis nom.
 1.429 minor axis nom.
 0.343" chord fwd. of CL
 0.049" wall nom.



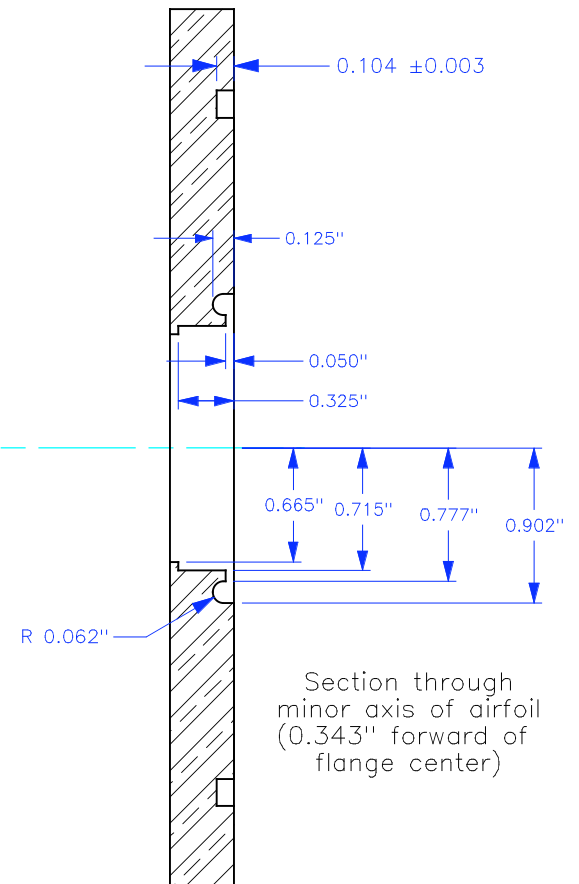
Drill through clearance for 10-32 screws (8 places, equally spaced on 4.600" dia. circle)

SL33-14-4 tubing weld prep (centered on flange center) groove using 1/8" ball-end mill (see cutaway details)

Note: all tapped holes must be drilled through

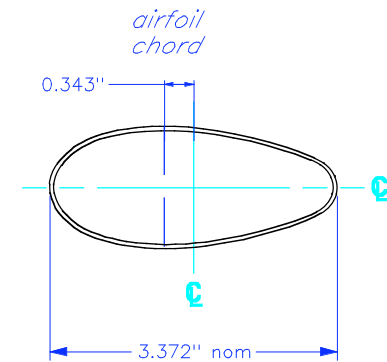
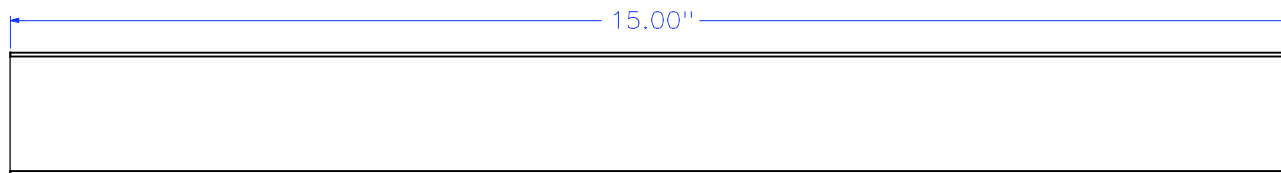


Groove for Parker #2-241 O-ring (internal pressure)
 I.D. = 3.859"
 O.D. = 4.179"
 depth = 0.104 ± 0.003"



WP-3D standard airfoil

Wicks Aircraft streamline tubing
p/n SL33-14-4
3.372 major axis nom.
1.429 minor axis nom.
0.343" chord fwd. of CL
0.049" wall nom.

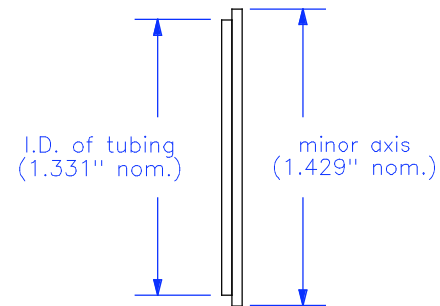
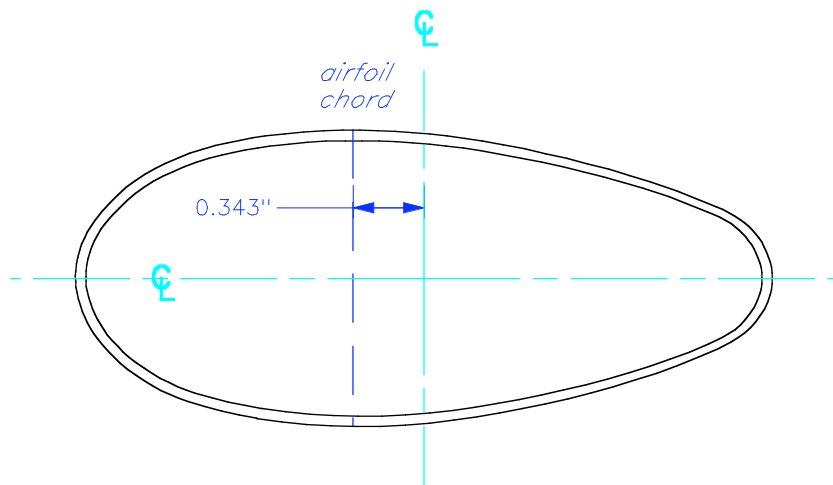
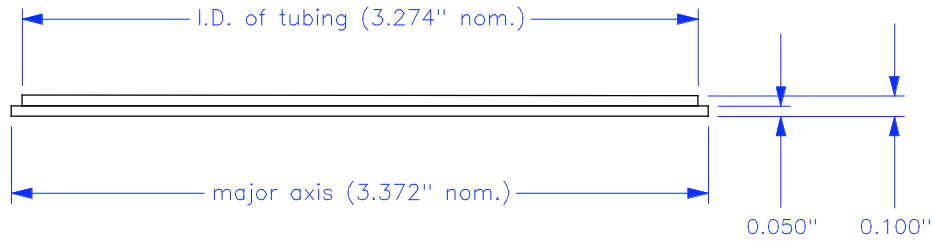


WP-3D standard end cap

4130N steel aircraft flats
Robin Materials, Inc.
www.rmat.com
(650) 966-1533

for Wicks Aircraft streamline tubing

p/n SL33-14-4
3.372 major axis nom.
1.429 minor axis nom.
0.343" chord fwd. of CL
0.049" wall nom.



Standard flange — blank
0.25" thick 6061 Al

