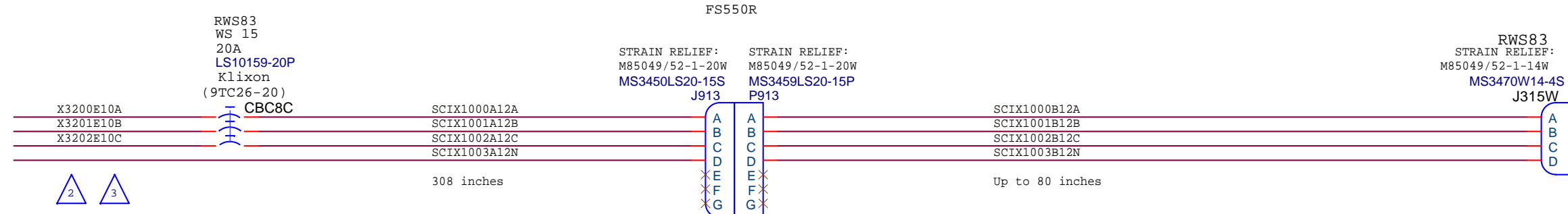
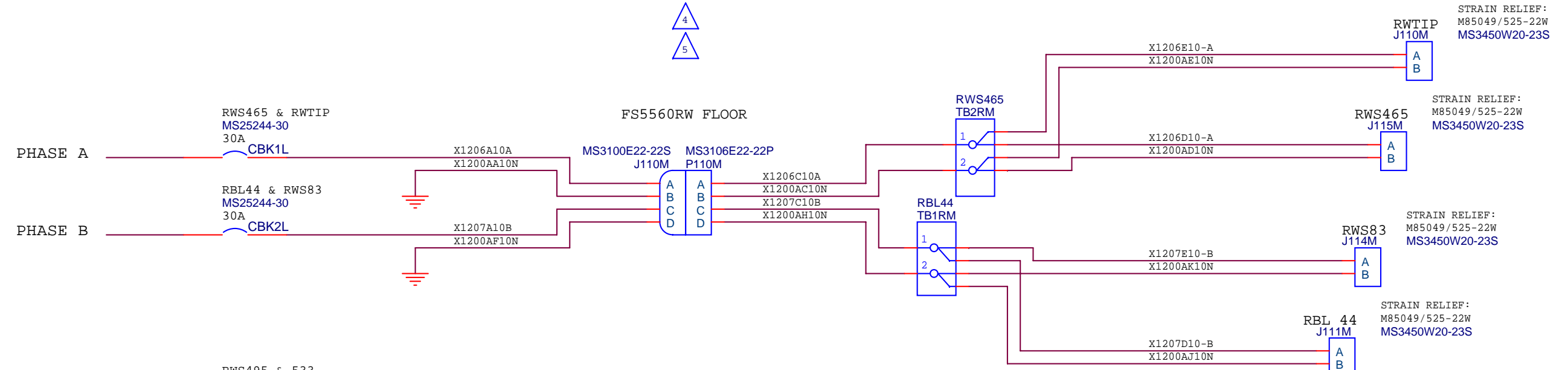


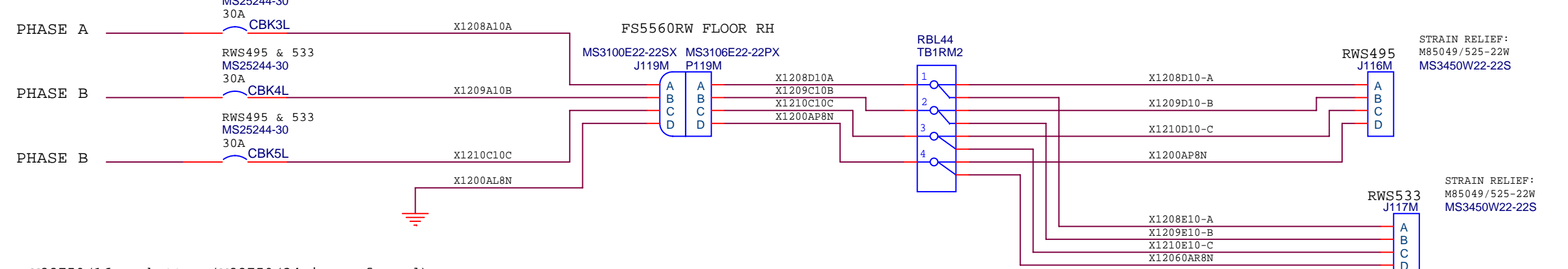
REF DWG: WD-000019-A  
SHEET 13



REF DWG: WD-000019-A



REF DWG: WD-000019-A



NOTES:

- All single conductor wire type M22759/16 or better (M22759/34 is preferred).
- Power cable assembly at N43RFaircraft only.
- Wire SCIX1003A12N replaces wire TWX3226A12N. Ref. drawing WD-000019-A Sheet 13.
- Connectors MS3450LS-15S and MS3459LS20-15P replace connectors RXOR20-15S and CA45408-2169 at J913 and P913. Ref. Drawing WD-990015-A. Remove old connectors and secure wires.
- Aircraft marked location as R13-1.

REF: LAS4073623

REF: LAS4073628

RIGHT WING WIRING - N42RF, N43RF SIGNAL DIST. & COLLECTION INTERFACE POWER TO RBL44, RWS83, 465, 495, 533, TIP			
DATE: Thursday, May 04, 2006	REV DATE: Monday, July 24, 2006	SHEET 1 OF 1	
NOAA / AOC / SED PO Box 6829 MacDill AFB, FL 33608	REV: B	FILE: 990011_B	DRAWING NUMBER WD-990011-A
		ENG: JED	